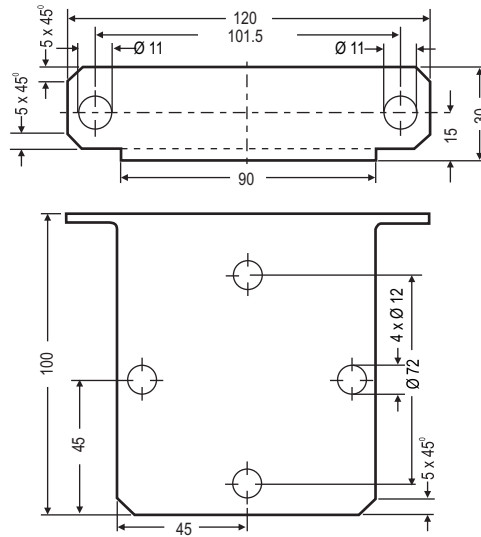
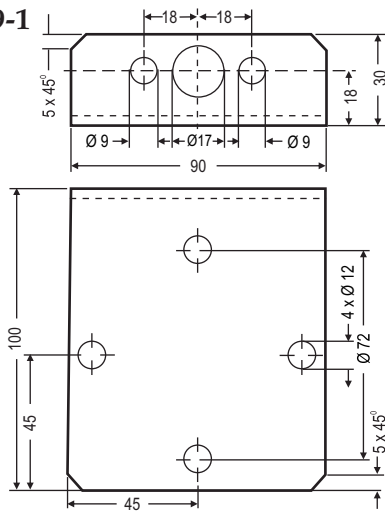


**KMF-19-1**

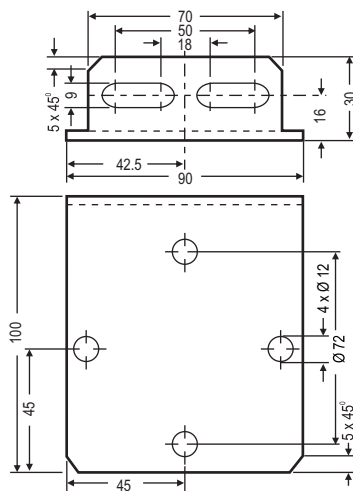


**KMF-19-2**

Mounting bracket for : KMF-02

Mounting bracket for : KMF-06, KMF-13

**KMF-19-3**



Mounting bracket for :

SVH	KMF-07
SVV	KMF-07
KMF-04	KMF-11
KMF-04	KMF-11
KMF-06	KMF-12
3VB	KMF-12
KMF-08	KMF-12

Mounting bracket set will be delivered with 2" U-bolt and nuts.